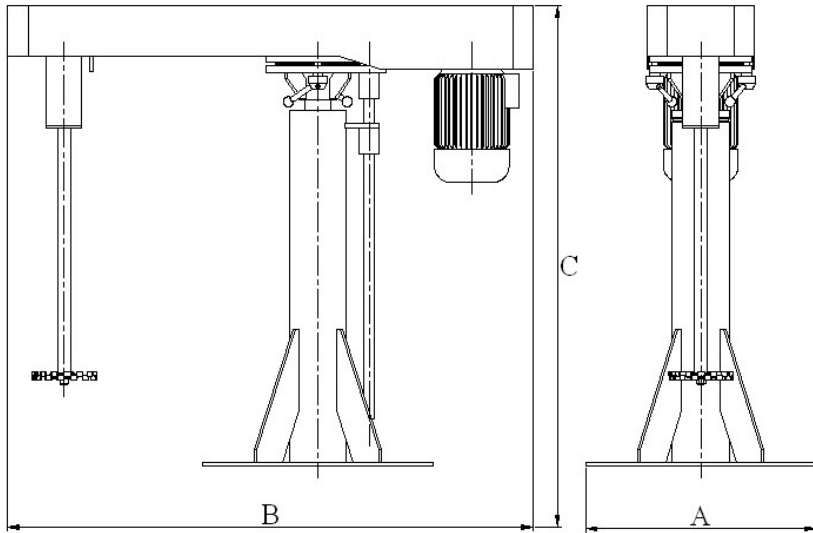




P-Mix Dispersing and Mixer for Production

Economic Series



Economic Series

- ❖ Economic price
- ❖ Adjustable high speed inverter
- ❖ Easy operation and maintenance

Option

- Explosion proof type of motor and control panel
- Techo-Meter
- Available move head

Model	Motor (HP)	Speed (rpm)	Mixing Cap (liters)	Impeller (mm)	Stroke (mm)	A Width (mm)	B Length (mm)	C Height (mm)	Height+ Stroke (mm)	Weight (Kg)
P-Mix 2 Eco	2	0 - 1500	100	125	600	300	1010	1170	1770	180
P-Mix 3 Eco	3	0 - 1500	150	150	900	735	1300	1480	2280	350
P-Mix 5 Eco	5	0 - 1500	200	150	1020	735	1600	1670	2690	448
P-Mix 10 Eco	10	0 - 1500	500	200	1000	900	2050	1800	2800	670
P-Mix 15 Eco	15	0 - 1500	800	200	1050	1035	1950	1800	2850	700
P-Mix 20 Eco	20	0 - 1500	1000	250	1050	1035	1800	1800	2850	750
P-Mix 30 Eco	30	0 - 1500	1200	300	1050	1070	2200	2010	3060	800
P-Mix 40 Eco	40	0 - 1500	1300	350	1050	1070	2200	2010	3060	850
P-Mix 50 Eco	50	0 - 1500	1500	400	1050	1070	2200	2010	3060	900

P.General Products : 234 Moo.5,Prakasa Road.,Prakasa,Muang,Samutprakarn 10280 Thailand.

Tel:(662)728-5246-8 Fax:(662)728-5249

E-mail:info@p-general.com